

# **PARTS CATALOG**

## **Power Supply Kit-Q1**

**Canon**

**Oct 12 2005**



## **PREFACE**

This Parts Catalog contains listings of parts used

Diagrams are provided with the listings to aid the service technician in identifying clearly, the item to be ordered.

Whenever ordering parts, consult this Parts Catalog for all of the information pertaining to each item. Be sure to include, in the Parts Request, the full item description, the item part number, and the quantity.

***COPYRIGHT (C) 1999 CANON INC.***

Use of this manual should be strictly supervised to avoid disclosure of confidential information.



# Contents

## NUMERICAL INDEX

Power Supply Kit-Q1 .....	1-1
<b>Power Supply Kit-Q1</b>	
Z10 ACC POWER SUPPLY ASSEMBLY .....	2-1



# NUMERICAL INDEX

## Power Supply Kit-Q1

PARTS NUMBER	FIGURE & KEY NO.	PARTS NUMBER	FIGURE & KEY NO.	PARTS NUMBER	FIGURE & KEY NO
FK2-1085-000	Z10 - 1				
FK2-1086-000	Z10 - 1				
FM2-4541-000	Z10 - 2				
NPN	Z10 -				
XB6-7300-805	Z10 - 501				





# Power Supply Kit-Q1

Power Supply Kit-Q1

**F68-0084-000**

**F68-0085-000**



# Contents

Z10 ACC POWER SUPPLY ASSEMBLY .....	2-1
-------------------------------------	-----



# FIGURE Z10 ACC POWER SUPPLY ASSEMBLY

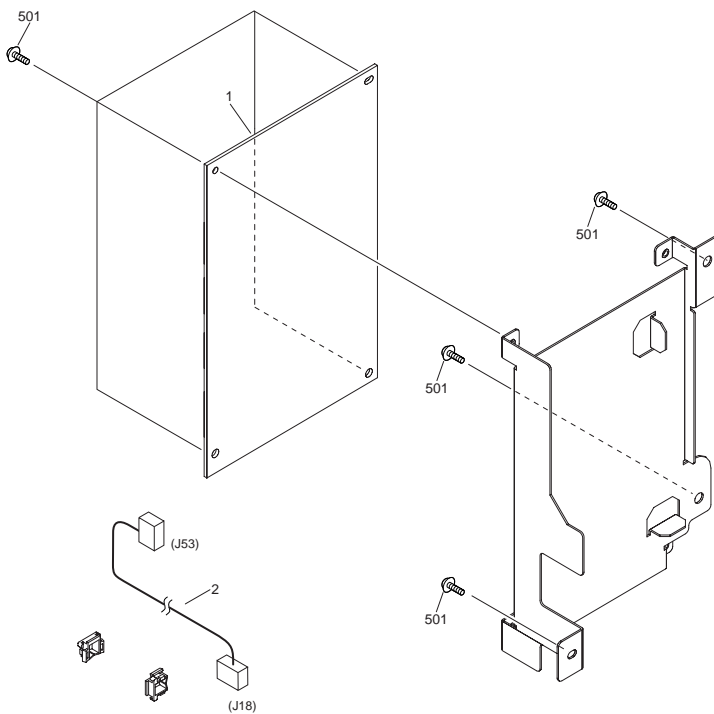


FIGURE & KEY NO.	PARTS NUMBER	RANK	Q'TY	DESCRIPTION	SERIAL NUMBER/REMARKS	SVC
Fig.Z10	NPN		RF	ACC POWER SUPPLY ASSEMBLY		
1	FK2-1085-000		1	OPTION POWER SUPPLY ASS'Y	100120V	
1	FK2-1086-000		1	OPTION POWER SUPPLY ASS'Y	230V	
2	FM2-4541-000		1	CABLE, OPTION POWER SUPPLY	J18,53	
501	XB6-7300-805		7	SCREW, BH3X8		

Prepared by  
OIP HFE Promotion Center  
CANON INC.

**Canon**